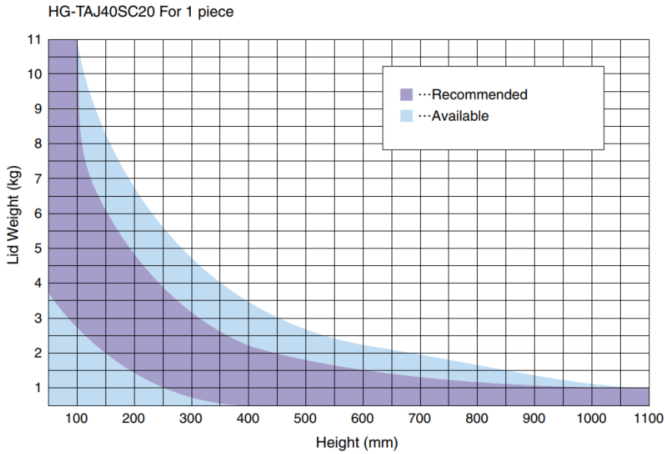
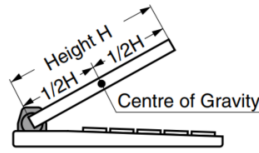


Available Lid Size



Hinge Mounting Position



The model selection graph shows an example where the upward opening centre of gravity is in the middle of the height dimension.

Operating Range

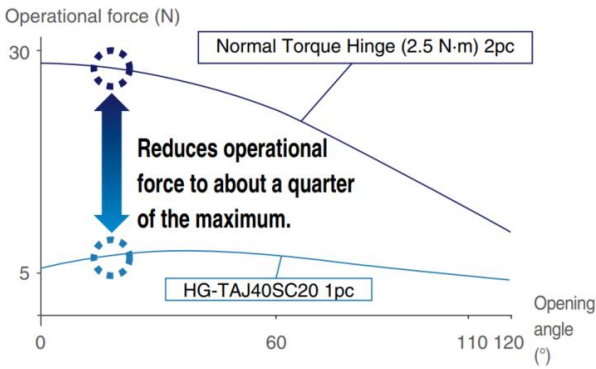
- Free-stop: 0° to 120°

- Light Operation: 1° to 119°

Calculation Condition: The centre of gravity is at the centre of the lid.

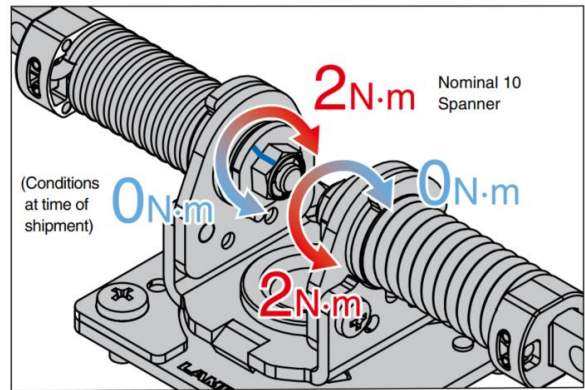
* Spring-assisted lid moment is close to 0 N.m.

Compare Required Force



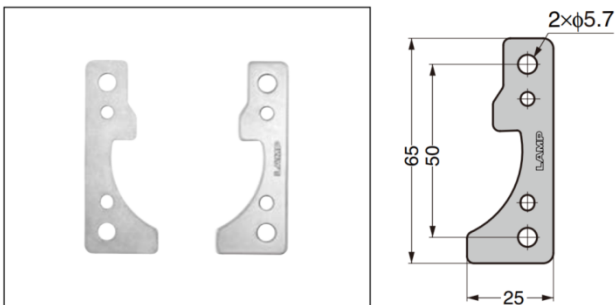
[Conditions] - Height: 300 mm - Weight: 2.5 kg - Centre of gravity: centre of lid

Detent Torque Adjustment Feature



Make sure the torque adjustment amount is the same on both sides by using the blue line on the nut and plate as a guide.

90° Angle Regulation Plate Optional



Please see video for mounting instructions and use.

90° Angle Regulation Plate (Optional)

Part No.	Material
HG-SC-ST	Stainless Steel 430

Main Body

Part No.	Tilt Direction		Swivel Direction	
	Assist Torque	Retaining Torque	Click Release Torque	Torque
HG-TAJ40SC20	3.5 ~ 4.5 N.m	0 ~ 4 N.m	3.5 N.m ±20%	2.0 N.m ±20%